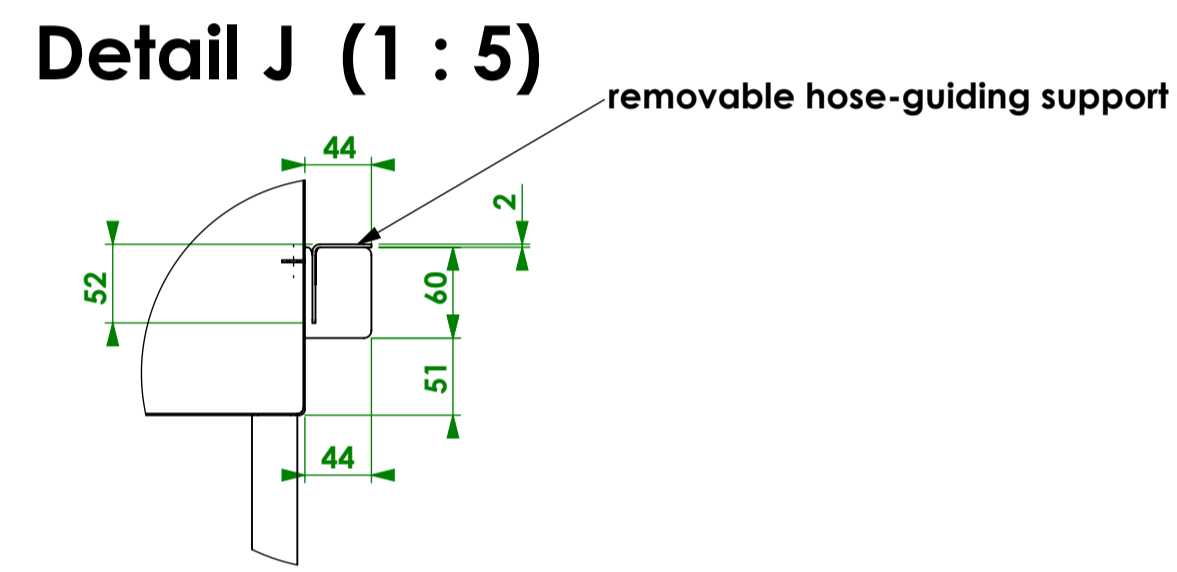
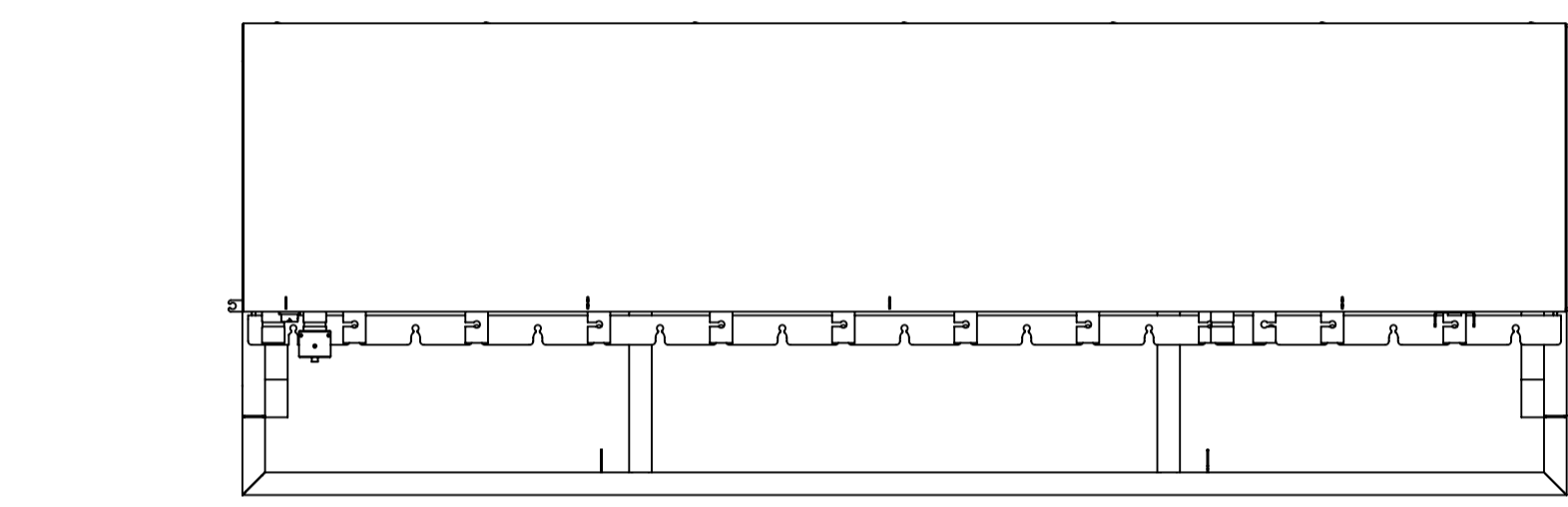
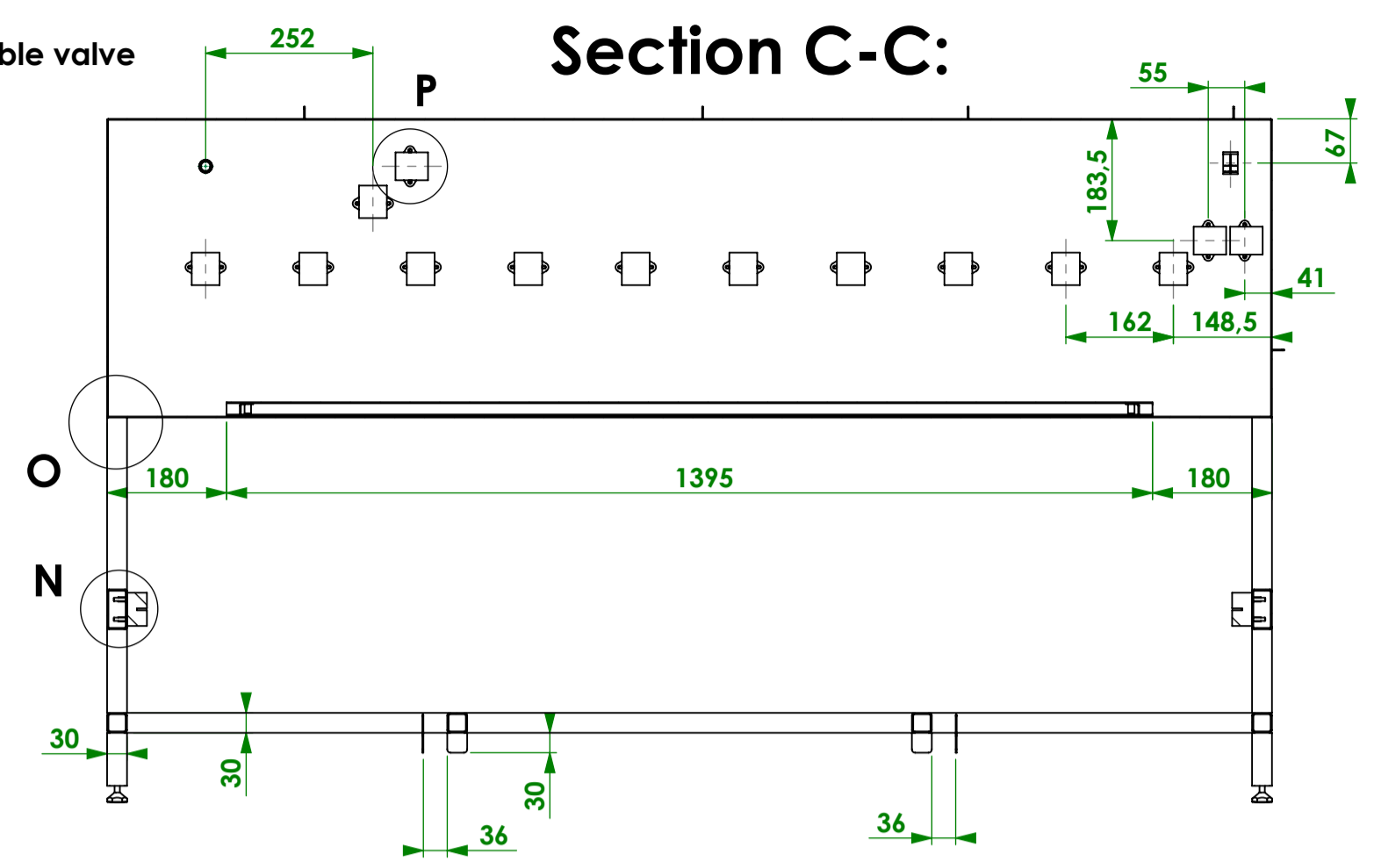
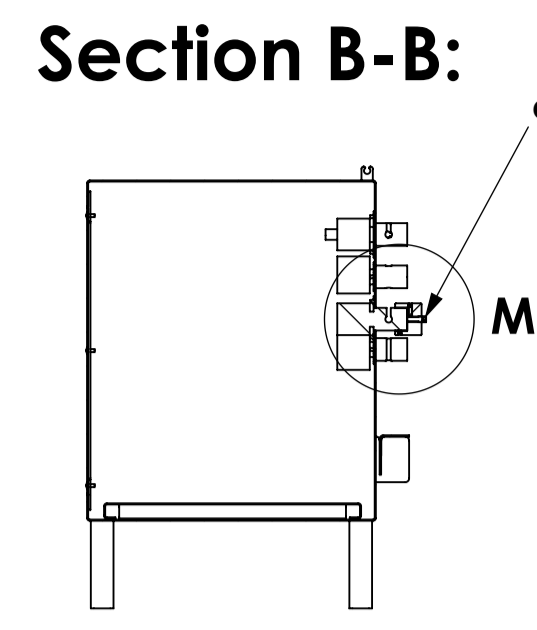
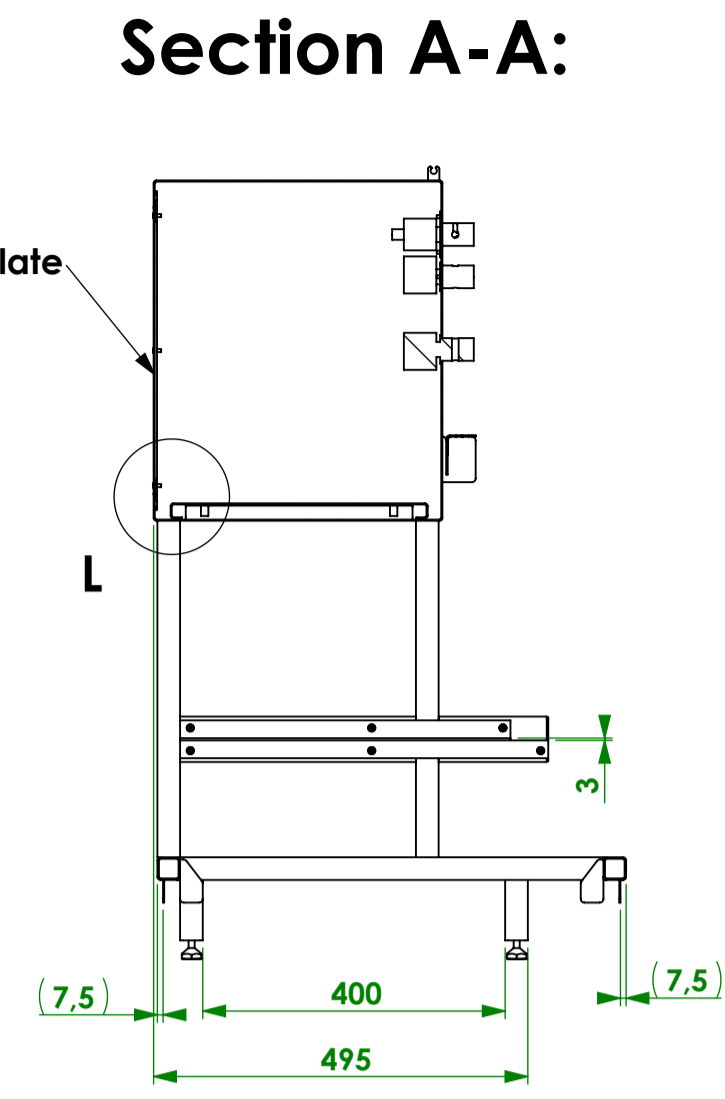
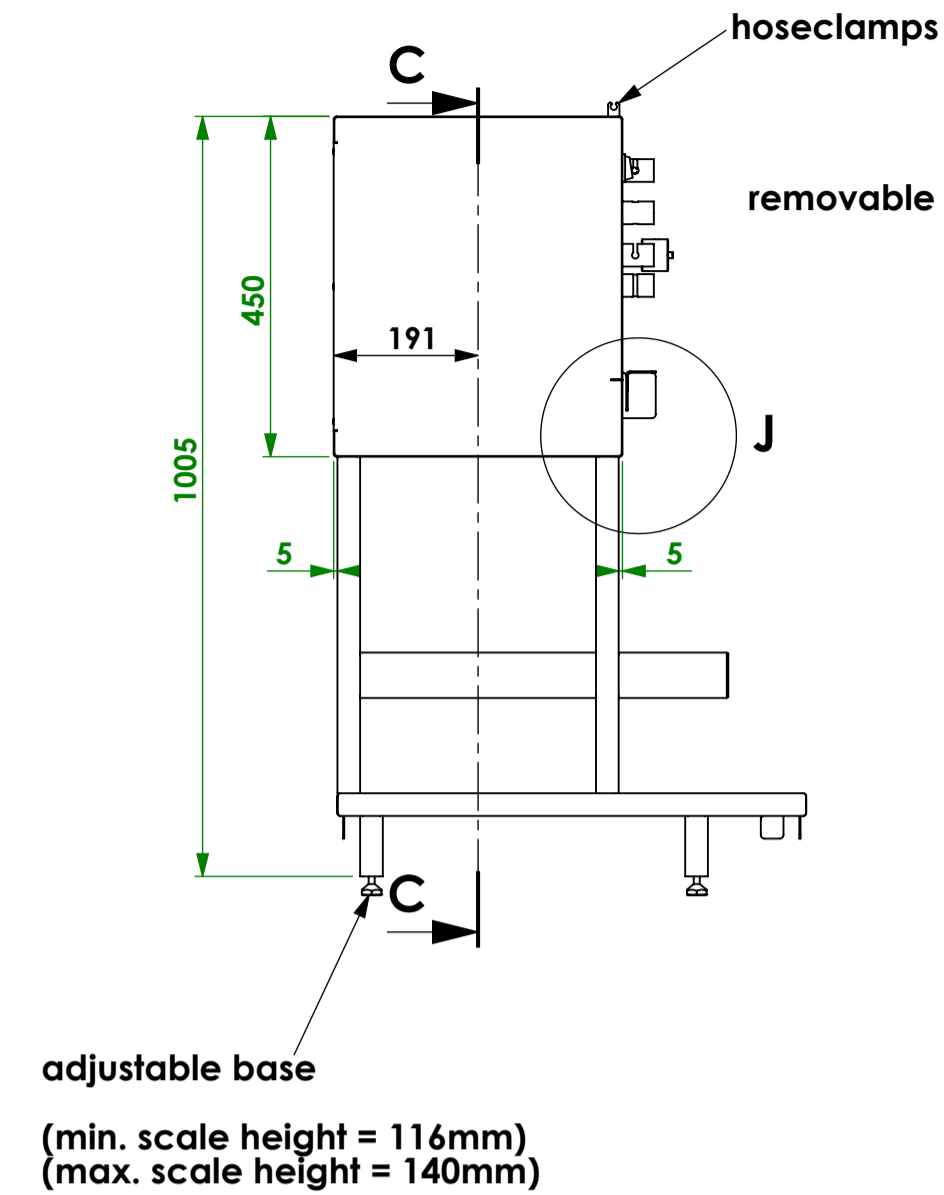
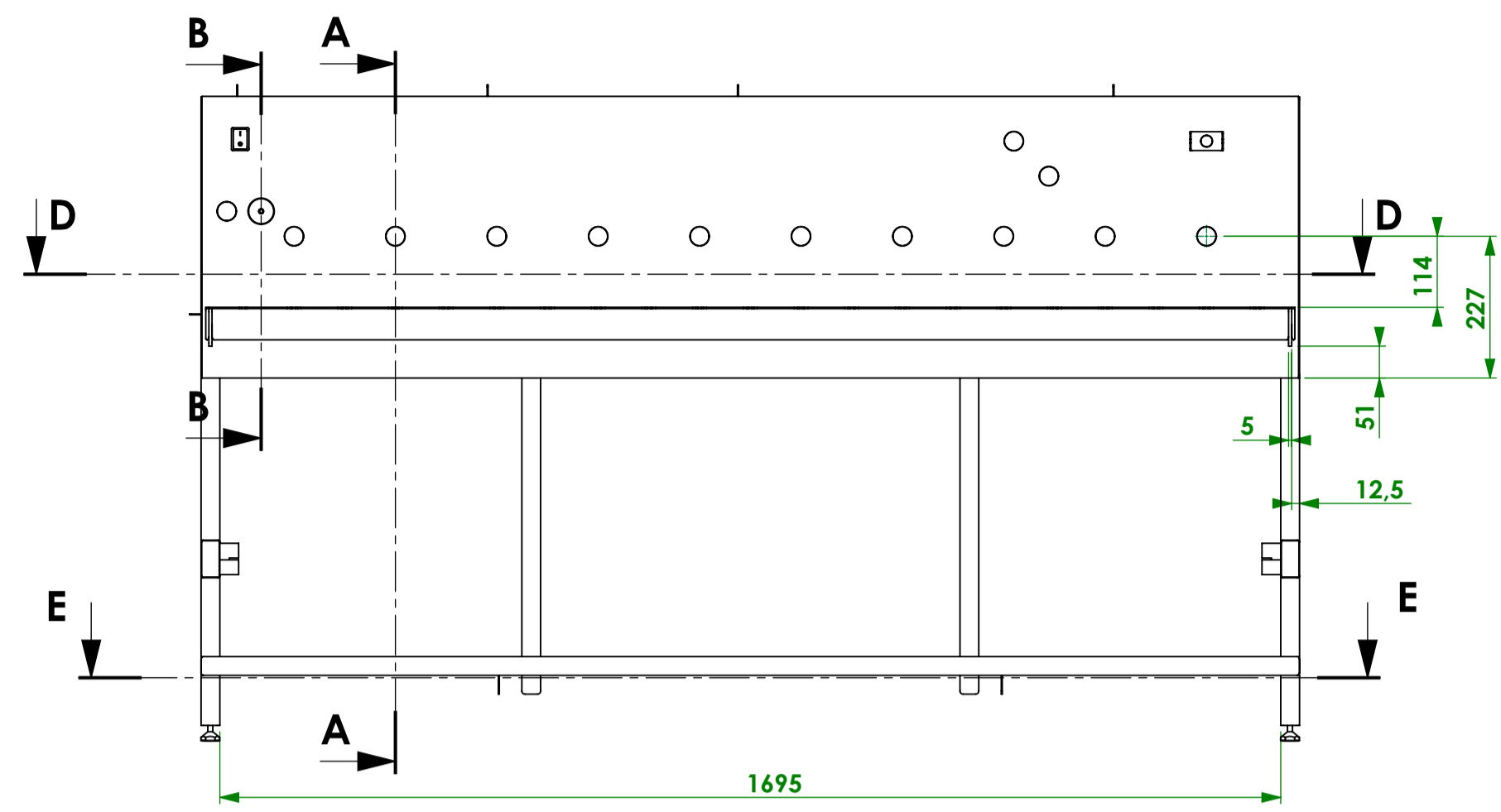
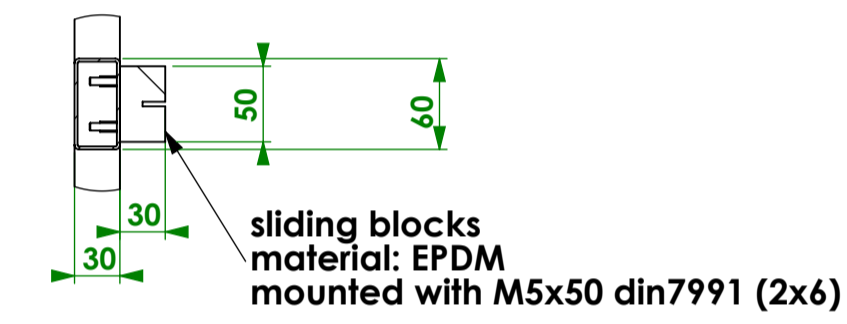


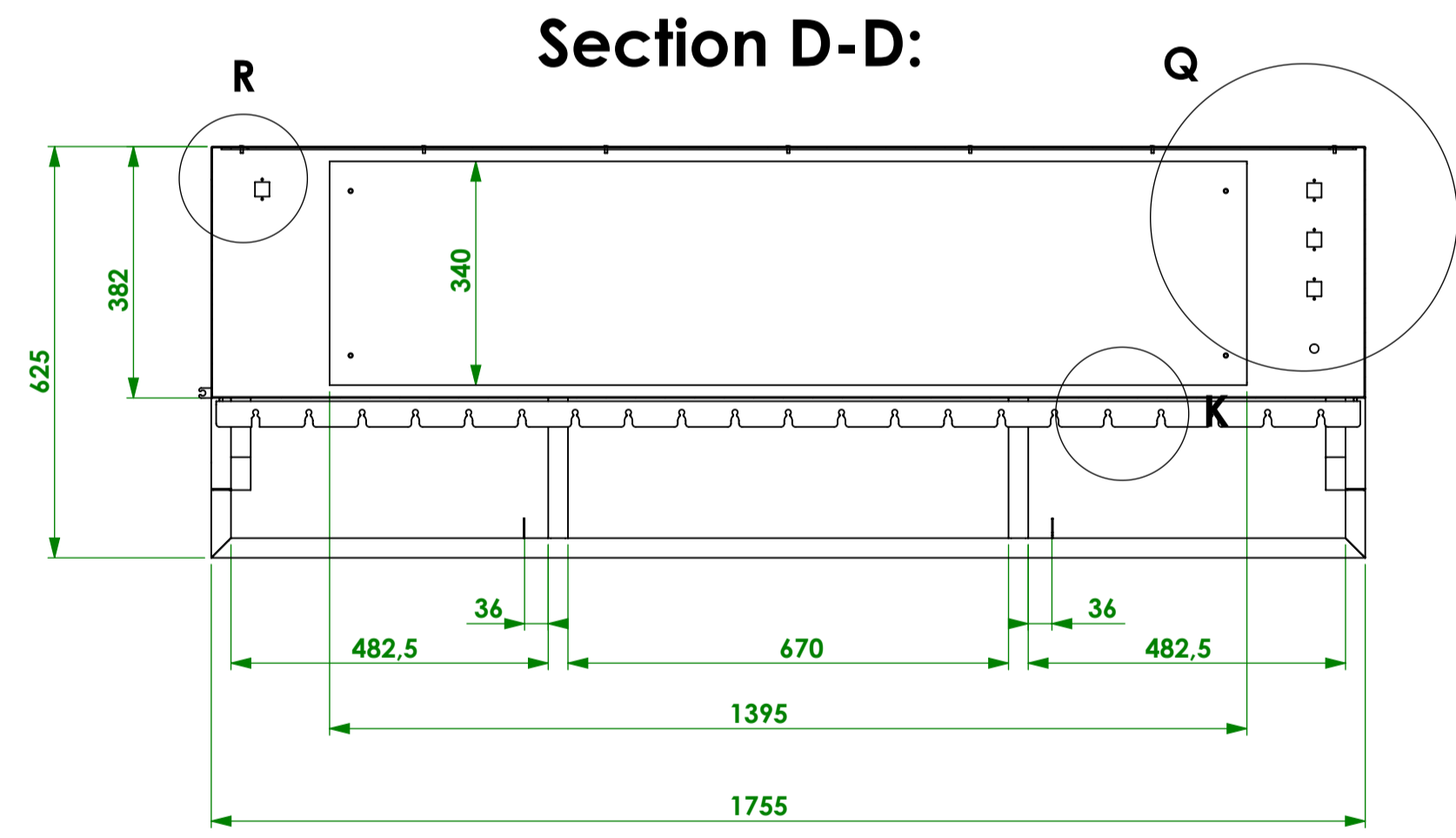
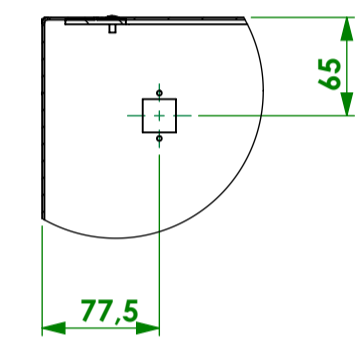
REV.	BESCHRIJVING	DATUM
A		29/03/2011
B		29/03/2011
C		6/04/2011



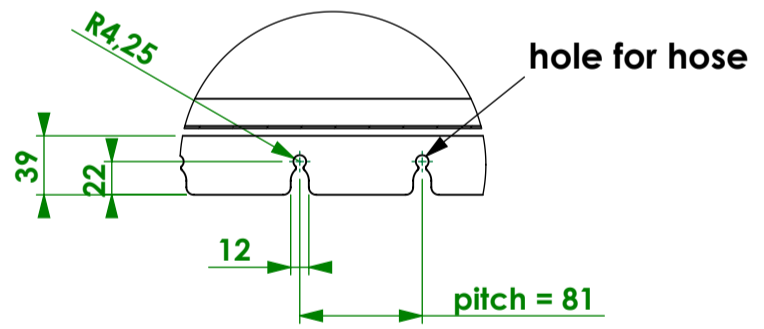
Detail N (1 : 5)



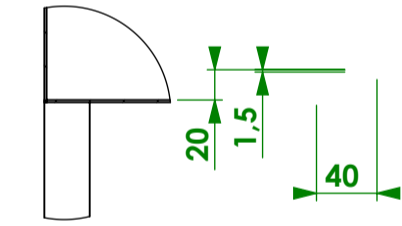
Detail R (1 : 5)



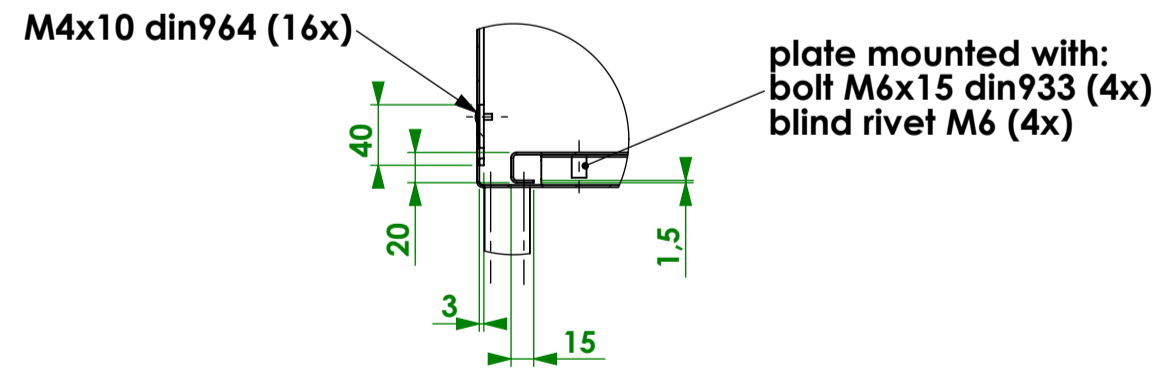
Detail K (1 : 5)



Detail O (1 : 5)



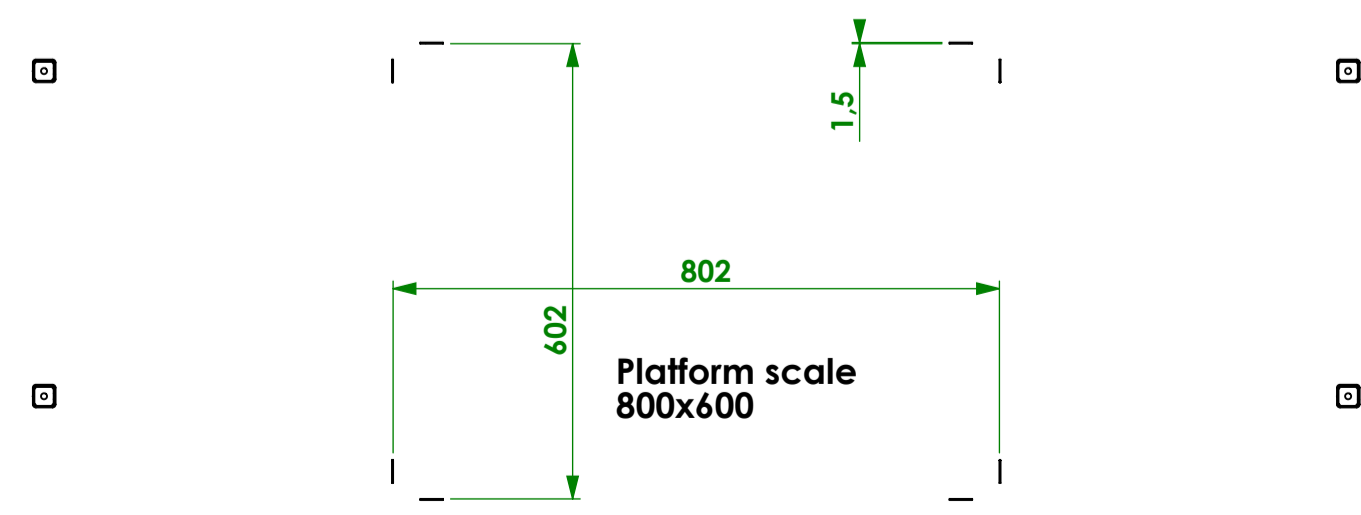
Detail L (1 : 5)



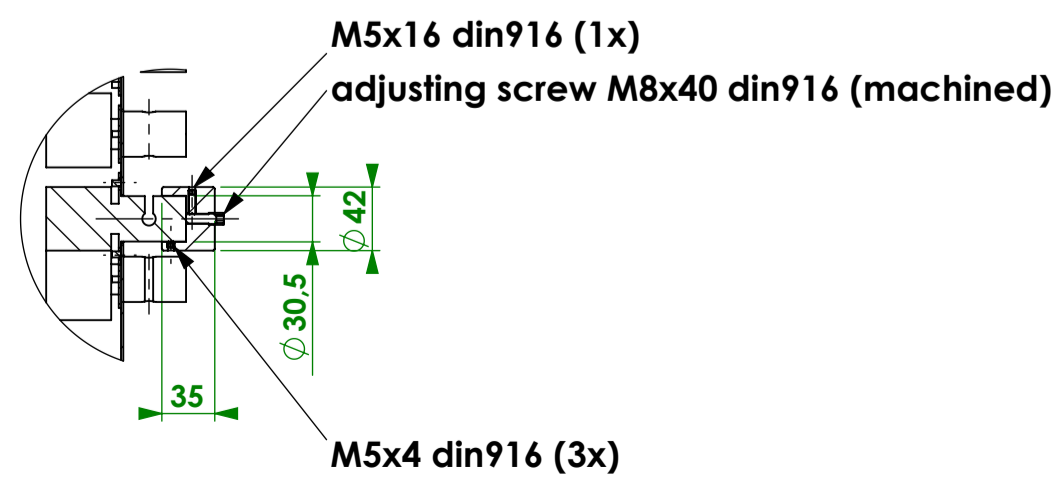
Detail P (1 : 5)



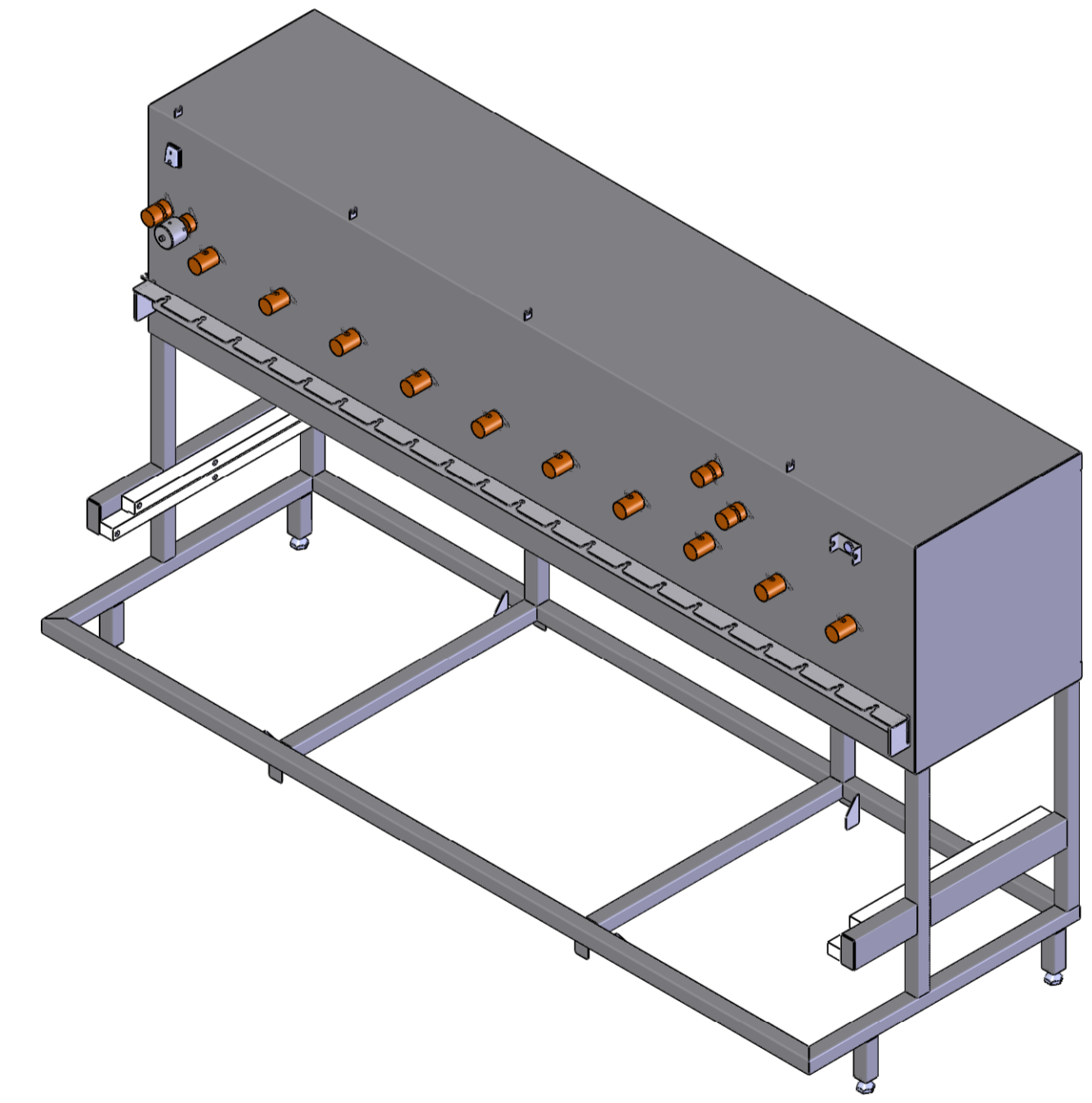
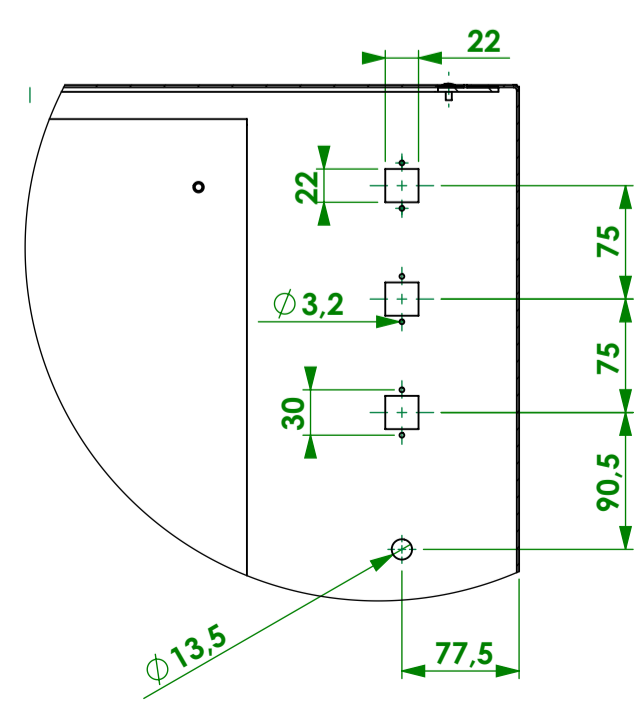
Section E-E:



Detail M (1 : 5)



Detail Q (1 : 5)



- This design is suitable for 3 types of containers:
- for bottles 2 liter & 1 liter (drawing 11-111865-1A)
 - for FFT's 4 liter (drawing 11-111865-1B)
 - for FFT's 2 liter (drawing 11-111865-1C)

Welding: TIG, entirely welded
 Finishing: weldseams are surface grinded excluded the inside of the corners, including to restore the direction of grinding.

		Klant: ALINCO
Pachtgodsstraat 4 9140 - Temse info@alisco.be		Omschrijving: Frame & housing for valves
Tel: 03-780 88 80 Fax: 03-780 88 90 www.alisco.be		Tek nr: 11-111865-1
Aantal: 1	Geleend: Gino	Rev C
Materiaal: rvs 316 K 320	Datum: 21/03/2011	A1
Nabeh.:		
Opm.:		
Gewicht: 489,01 Kgr		U.Sch.: O.Ref.: schaal: 1:10